

## Bourdon Tube Pressure Gauges Model MBB, with/without Liquid Filling, Stainless Steel Case

### Applications

- ▣ hydraulics system
- ▣ compressors
- ▣ wind power industry
- ▣ shipping industry
- ▣ construction machine industry

### Special Features

- ▣ special process connection for refrigeration industry
- ▣ special oil filling reach requirement of ambient temperature - 40 °C
- ▣ various brackets for difference application
- ▣ Max. scale range reach 1000bar
- ▣ various throttles against shocking and vibration



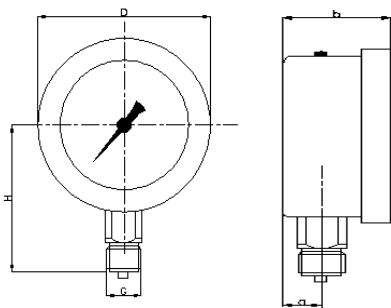
### Technical data

<b>Design</b>	<b>Pressure application</b>
EN 837-1	permanent loading: NS 63: 3/4 x full scale range NS 100: full scale range
<b>Nominal size in mm</b>	dynamic loading: NS 63: 2/3 x full scale range NS 100: 0.9x full scale range
63,100	overpressure protection: NS 63: full scale range NS 100: 1.3x full scale range
<b>Accuracy class</b>	<b>Ingress protection</b>
NS 63: 1.6% NS 100: 1.0%	IP 54 per EN 60 529 / IEC 529
<b>Scale ranges</b>	<b>Operating temperature</b>
0...0.6 to 0...1000 bar vacuum pressure is available	Ambient: -25 ... +60 °C Medium: +60 °C maximum

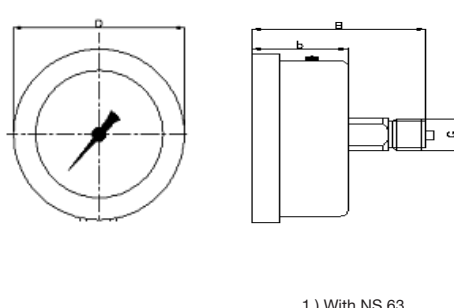
<b>Case</b>	<b>Measuring element</b>
CrNi steel, with pressure relief @ the position of 12 o'clock Ranges 0/16 bar with compensating valve-position 12 o'clock	NS 63: < 60 bar: Cu-alloy, C-type 60 bar: Cu-alloy, helical type
<b>Bezel ring</b>	NS 100: < 100 bar: Cu-alloy, C-type 100 bar: stainless steel 316L, helical type
stainless steel, flat bezel	
<b>Window</b>	<b>Movement</b>
NS 63: plastic NS 100: instrumentation glass	Cu-alloy
<b>Dial</b>	<b>Process connection</b>
Aluminium, white	Cu-alloy
<b>Pointer</b>	lower mount or back mount
Aluminium, black	NS 63: G ¼ B (male), 14 mm flats NS 100: G ½ B (male), 22 mm flats

## Dimensions in mm

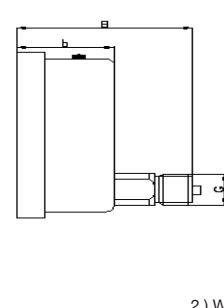
Lower mount (LM)



Centre back mount (CBM) 1)



Lower back mount (LBM) 2)



NS	H	a	b	B	D	G	SW
63	54	13.5	32.5	56.5	68.5	G ¼ B	14
100	87	15.5	48.5	82	107.5	G ½ B	22