

Pressure transmitters in compact design for economic application

Model EDC-S

Applications

- ▣ watertreatment
- ▣ compressor
- ▣ HVAC
- ▣ logistics machine
- ▣ railways

Special Features

- ▣ high performance/price rate
- ▣ easily mounting
- ▣ various signal output
- ▣ range up to 600bar
- ▣ good delivery time as stock

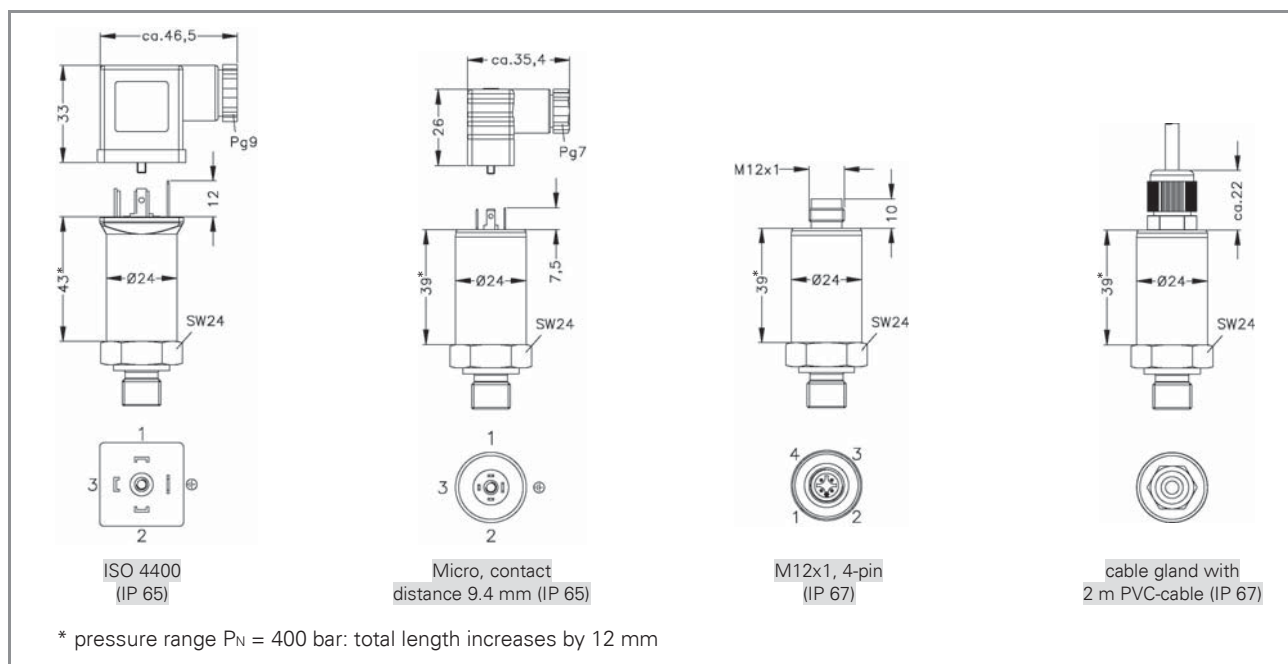


Technical data

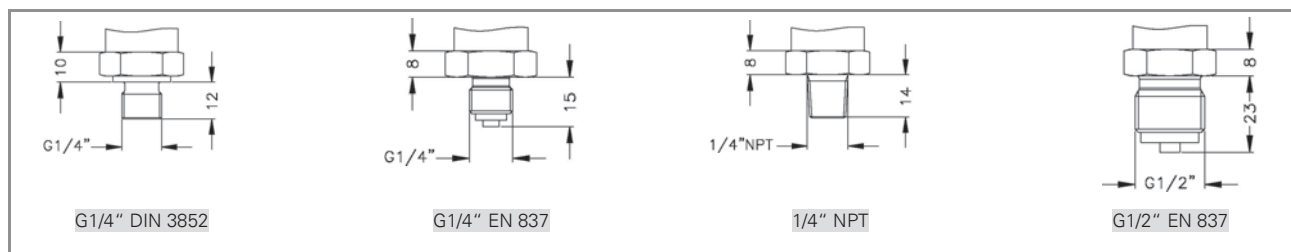
Long term drift	Pressure application
0.25% of F.S. per year(non-cumulative)	prerssure range: 0/4bar.....0/600bar
non-repeatability	over pressure protection: 200% of F.S.
0.1% of F.S.	burst protection: 400% of F.S.
Non-linearity	Material
0.2% of F.S.	case: stainless steel
Accuracy	wetted parts: stainless steel
0.75% of F.S.	
compensated temperatures	Ingress protection
-40 ... +125 °C	IP 65 per EN 60 529 / IEC 529
operating temperatures	Fatigue life
-40 ... +125 °C	over 100M cycles

response time	signal output
1ms	4...20mA 2-wire 0...20mA 3-wire
EMC(radiated immunity)	0...5V 3-wire 0...10V 3-wire
2004/108/EEC, Emission(group 1, class B) and immunity100V/m	
Power supply	Shock resistance
10/30VDC(14/30VDC with voltage output 3-wire)	200g according to IEC 60068-2-27
reverse polarity protection	vibration resistance
with	20g according to IEC 60068-2-6

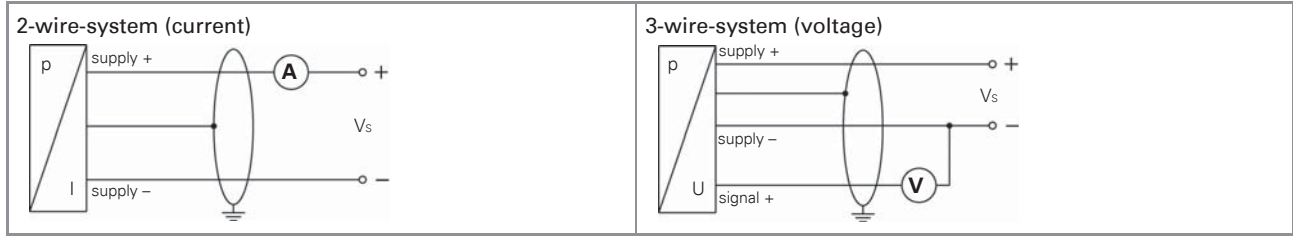
Electrical connections (dimensions in mm)



Mechanical connection (dimensions in mm)



Wiring diagrams



Pin configuration

Electrical connection	ISO 4400	Micro (contact distance 9.4 mm)	M12x1 (4-pin), plastic	cable colours (DIN 47100)
Supply +	1	1	1	wh (white)
Supply -	2	2	2	bn (brown)
Signal + (for 3-wire)	3	3	3	gn (green)
Shield	ground pin	ground pin	4	gn/ye (green / yellow)